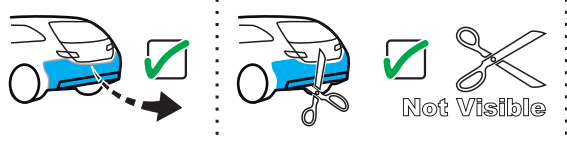


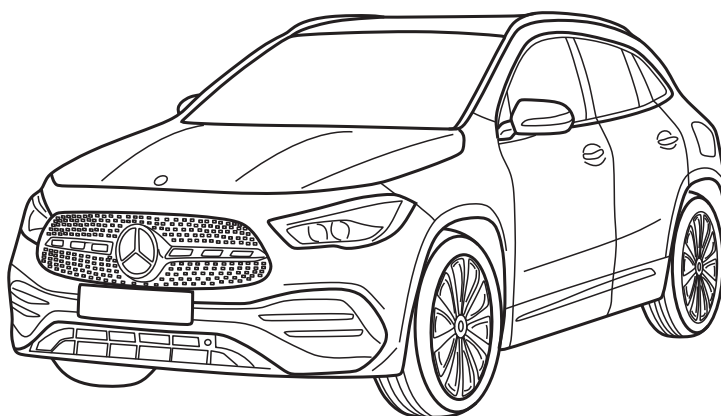
Part Number: 200764

## Mercedes GLA (SUV) (H247)

12/2018 -

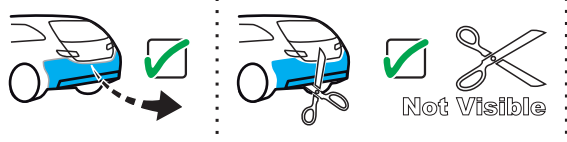


- AdBlue
- AWD
- PDC
- Hands-Free access
- AMG

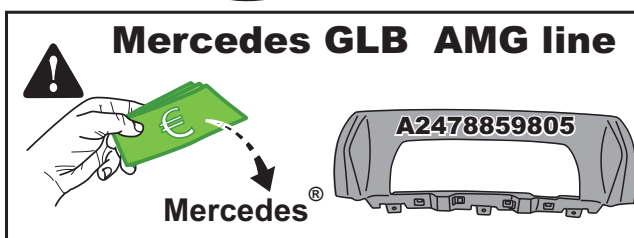
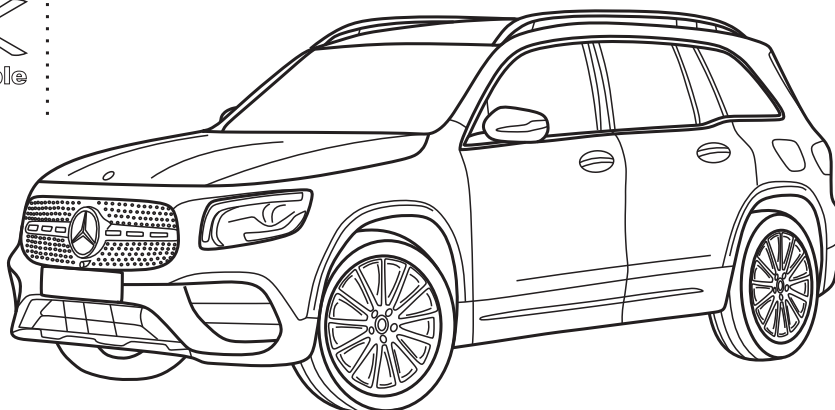


## Mercedes GLB (SUV) (X247)

08/2019-



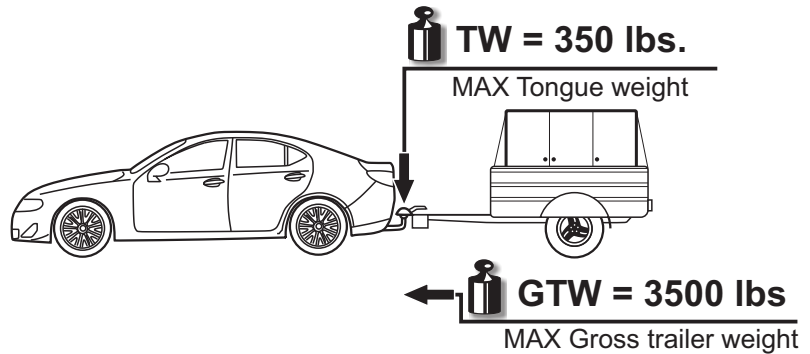
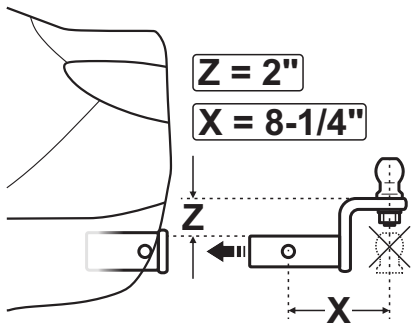
- AMG line
- AWD
- PDC
- AdBlue
- Hands-Free access
- AMG



Check our webpage for the latest and a full-color copy of this fitting instruction.



**THESE INSTRUCTIONS MUST BE GIVEN TO THE END USER**



**Never exceed the vehicle or the hitch manufacturer's recommended towing capacity and tongue weight.**



### **IMPORTANT SAFETY NOTICE FOR HITCH INSTALLERS AND CUSTOMERS**

Read all installation, operating and safety instructions along with all labels before installing or using this product. Failure to comply with the safety information could result in serious injury or death.



[www.oris-automotive.com/en/safety/](http://www.oris-automotive.com/en/safety/)



**WARNING:** This product can expose you to chemicals including carbon black, which is known to the State of California to cause cancer. For more information go to [www.P65Warnings.ca.gov](http://www.P65Warnings.ca.gov)



**WARNING:** Do not perform any installation or towing procedures without fully understanding the correct tools and actions for all steps. Call for support if needed.



[www.oris-automotive.com/en/acps-automotive-aftermarket-worldwide/](http://www.oris-automotive.com/en/acps-automotive-aftermarket-worldwide/)

## Legend / Légende / Leyenda



US Attention  
F Attention  
E Atención



US Incorrect  
F Incorrect  
E Incorrecto



US Correct  
F Correct  
E Correcto



US Inspect  
F Examiner  
E Revise



US In both sides  
F Tous les deux côtés  
E En ambos lados



US Manually  
F À la main  
E A mano



US Only 2 persons may carry out  
F Toujours s'y mettre de deux  
E Operación que requiere dos personas



US Remove  
F Rebuter  
E Tratamiento de residuos



US Location/Position Arrow  
F Flèche de Position  
E Flecha de posición



US Movement Arrow  
F Flèche de mouvement  
E Flecha de movimiento

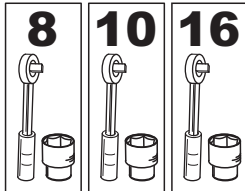


US Protect it against corrosion  
F Protéger contre la corrosion  
E Proteger contra la corrosión

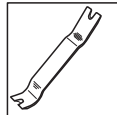


US Electrical connection  
F Connexion électrique  
E Conexión eléctrica

## Tools Required / Outils requis / Herramientas requeridas



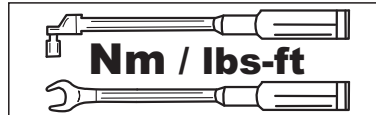
RATCHET WITH SOCKET



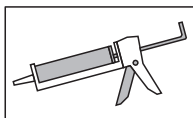
PLASTIC PRY



CUTTING TOOL



TORQUE WRENCH WITH SOCKET 10, 17



SEALANT

## Safety / Sécurité / Seguridad

Should be worn at all times while installing this product.

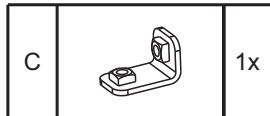
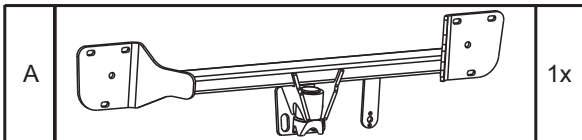
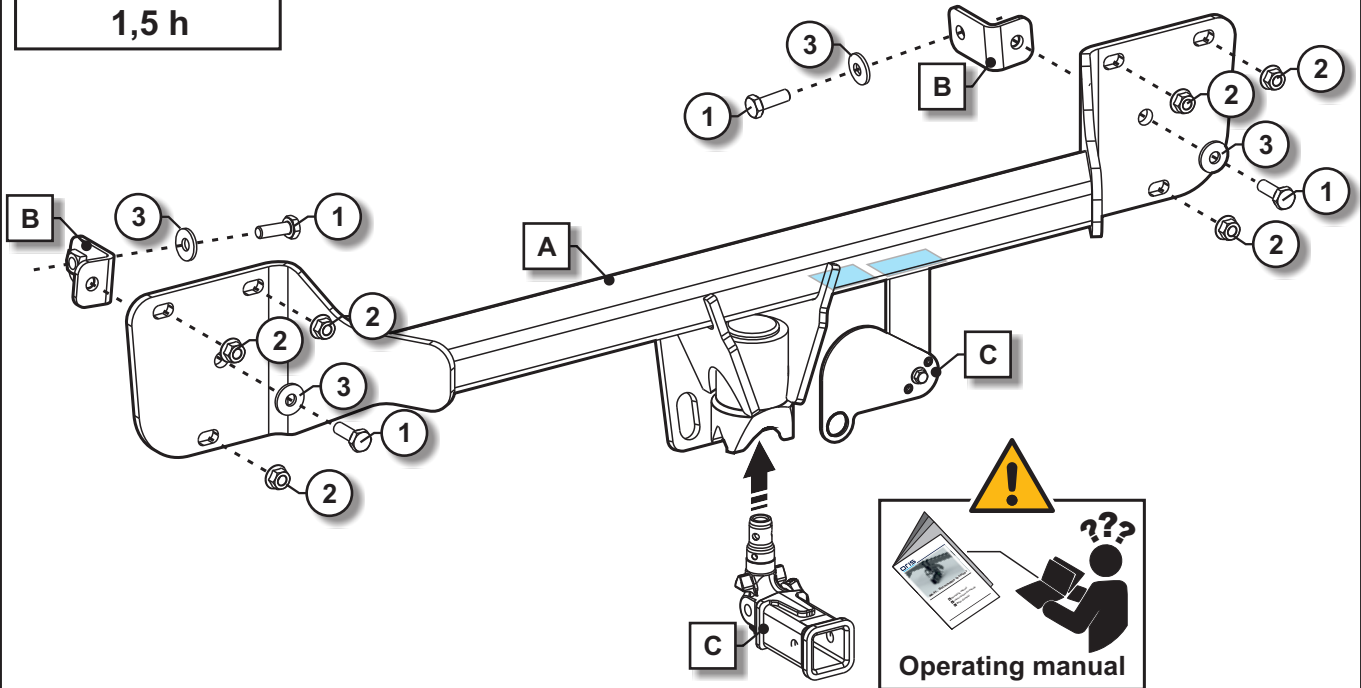
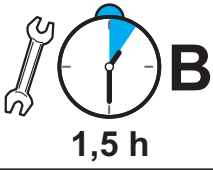
Il doit être porté en permanence lors de l'installation de ce produit.

Debe llevarse en todo momento mientras se instala este producto.

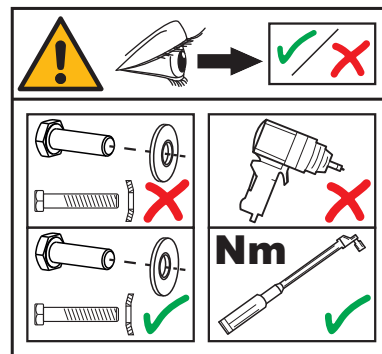


# Assembly / Assemblage / Montaje

Mounting time



1		M10x30	DIN933	10.9	4x	68 Nm 50.2 ft-lbs
2		M10	DIN6923	10	6x	68 Nm 50.2 ft-lbs
3		10x27x2,8	NFE25510		4x	



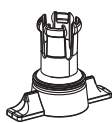
Spare Parts



290019



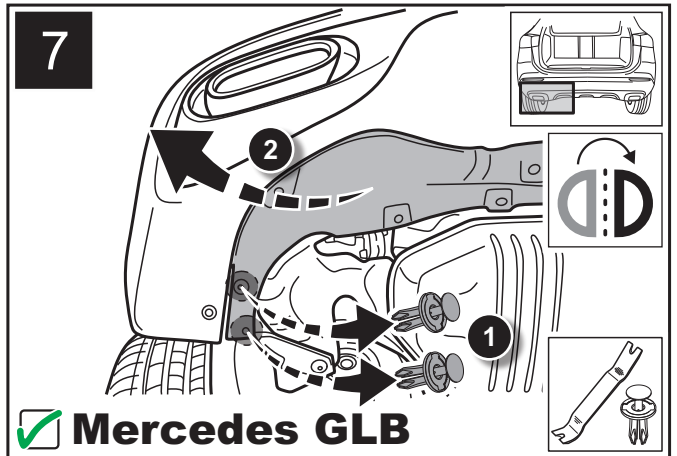
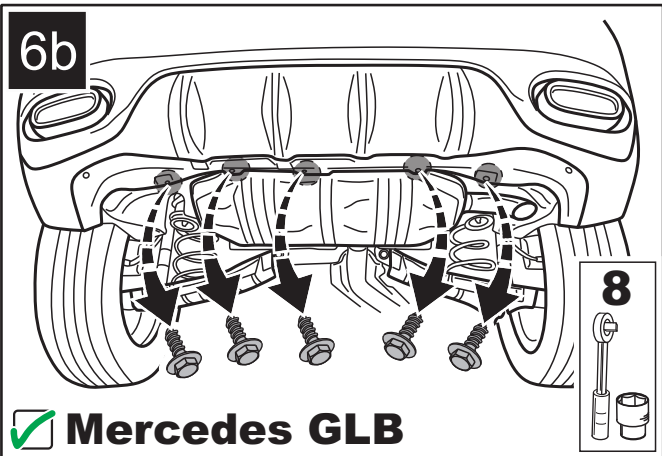
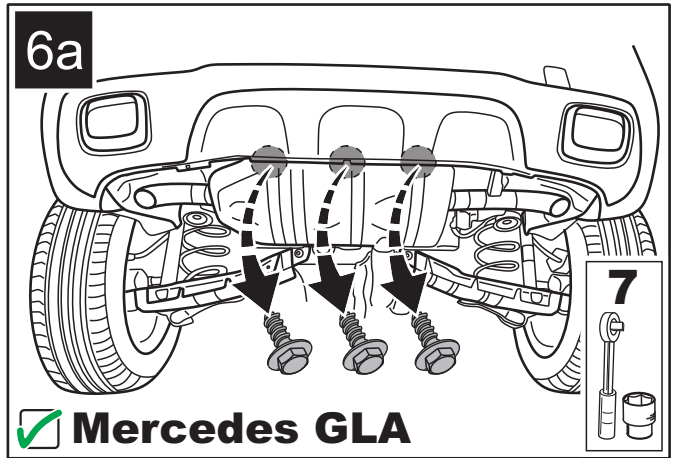
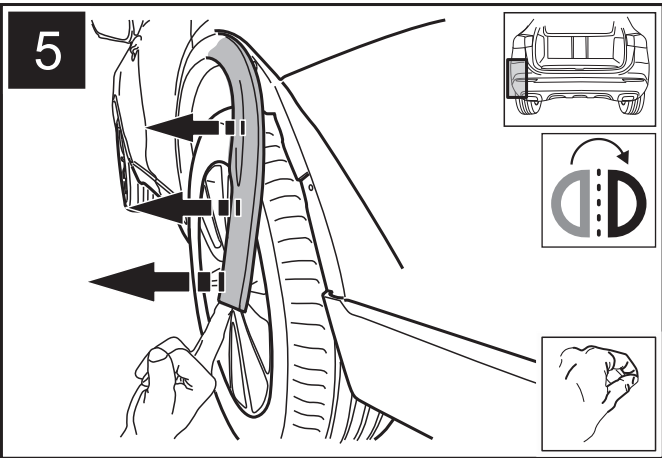
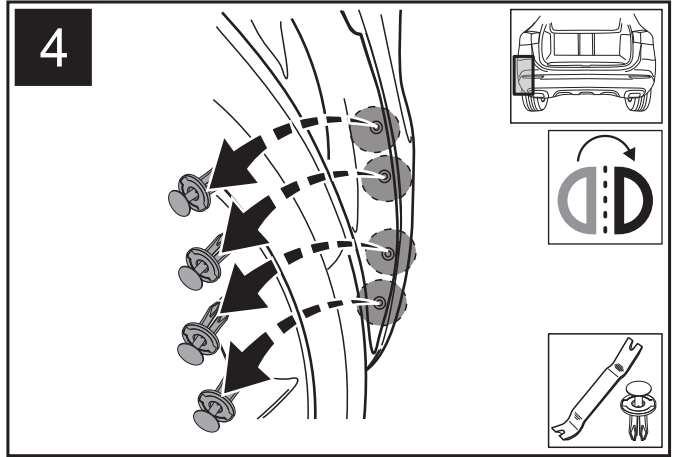
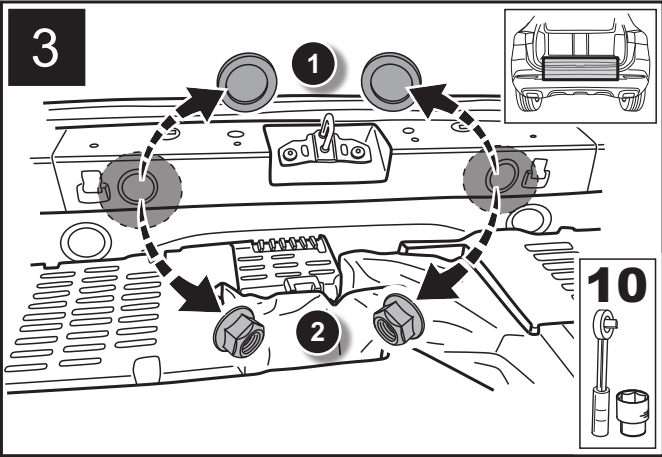
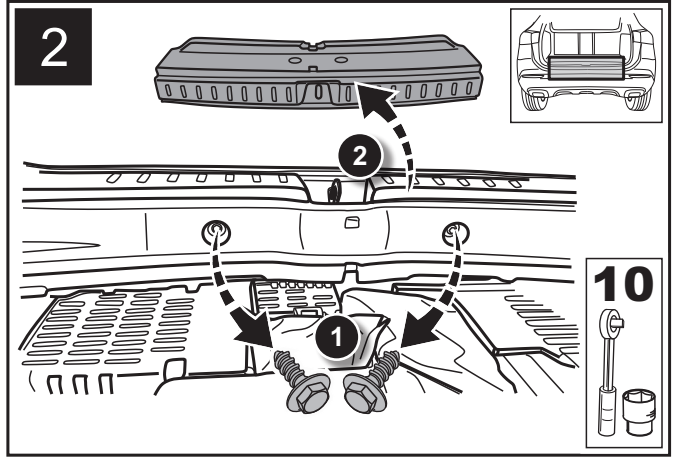
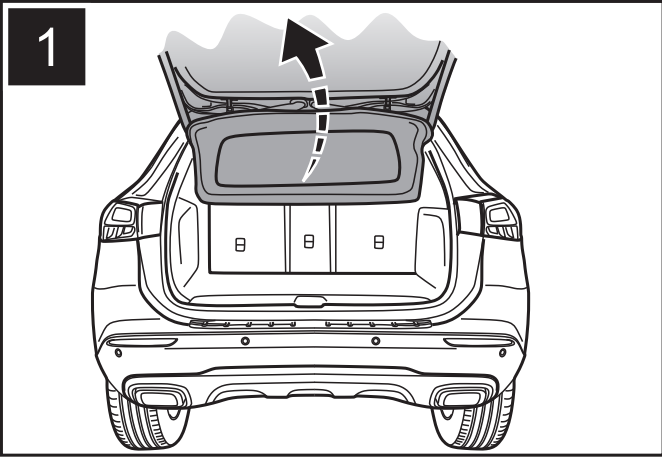
290029



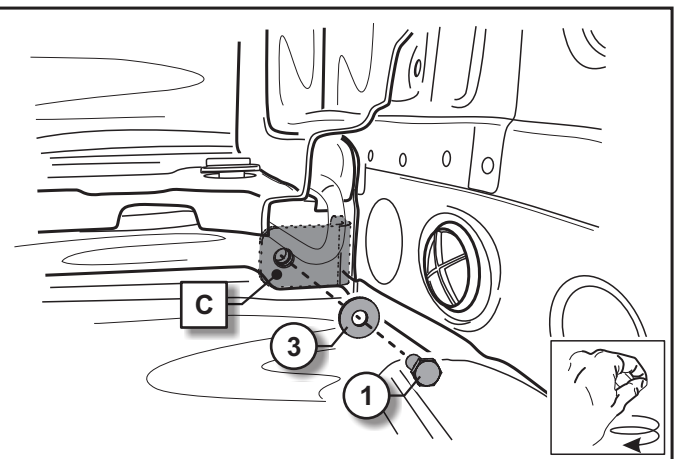
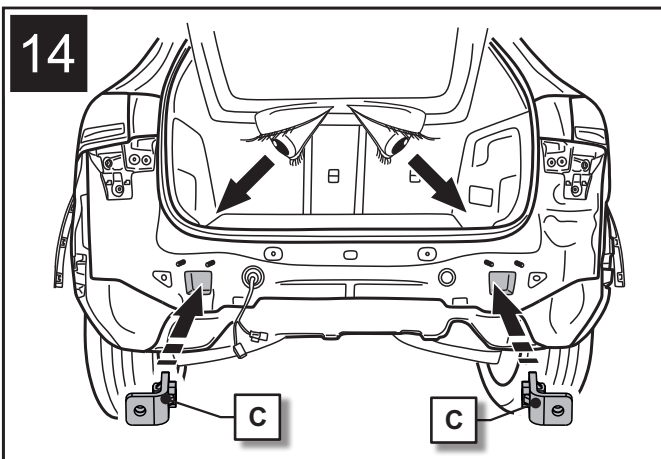
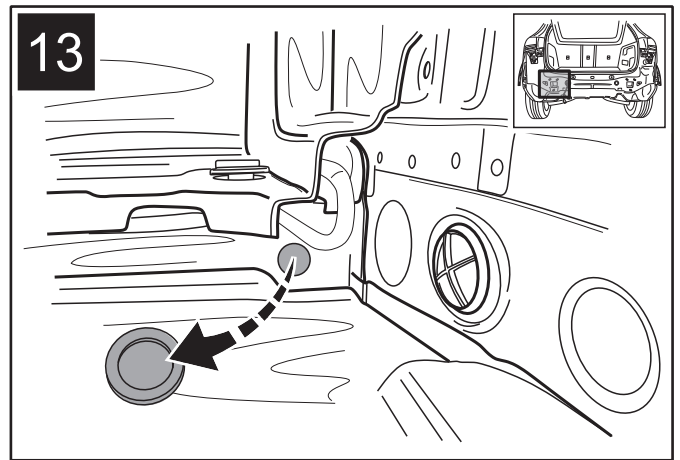
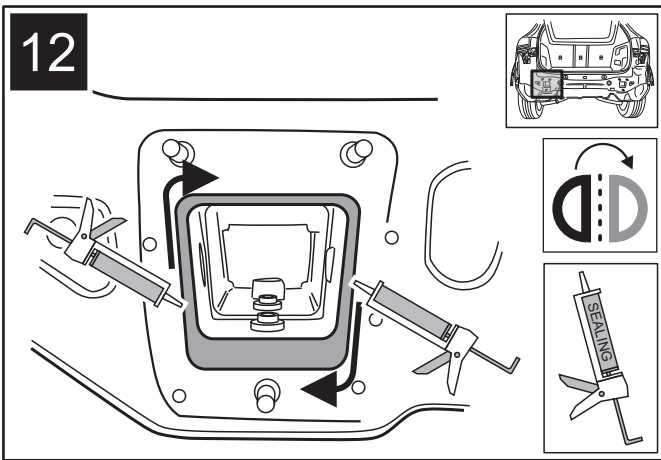
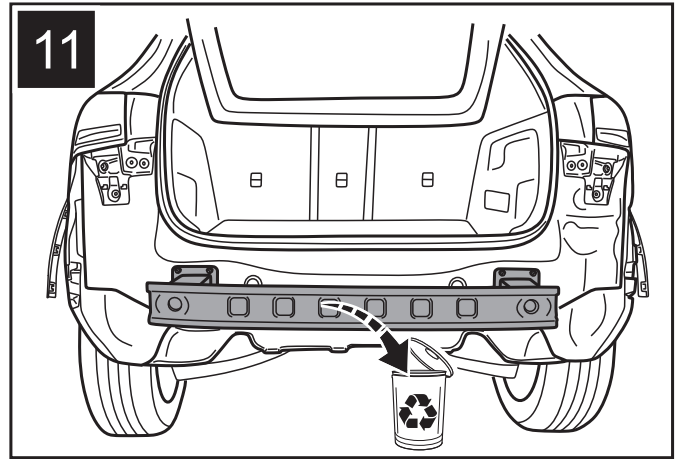
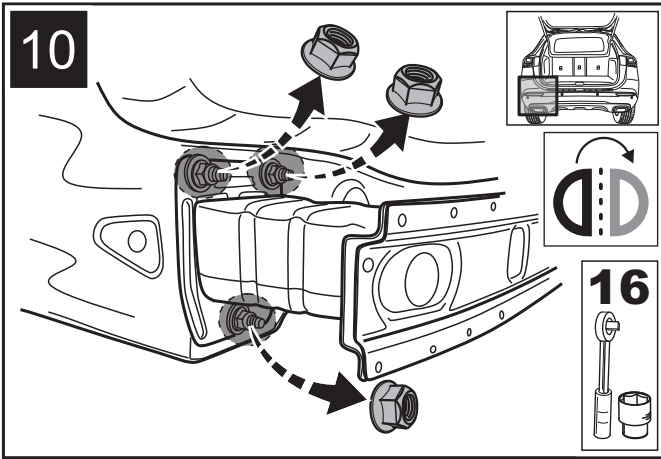
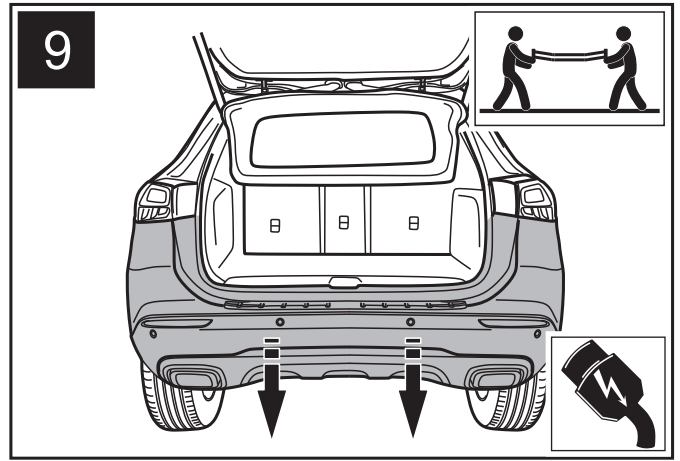
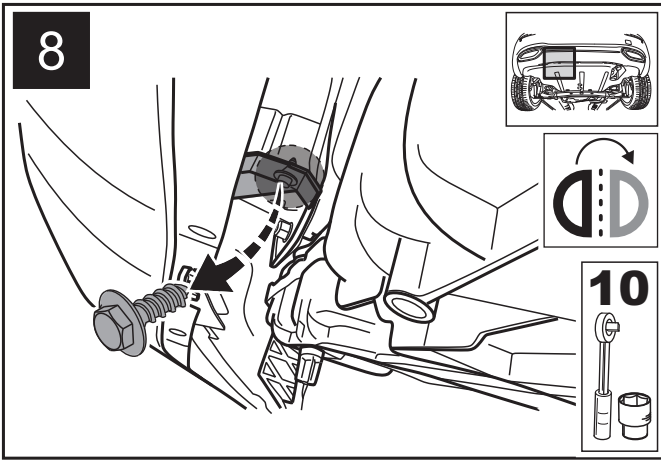
290039

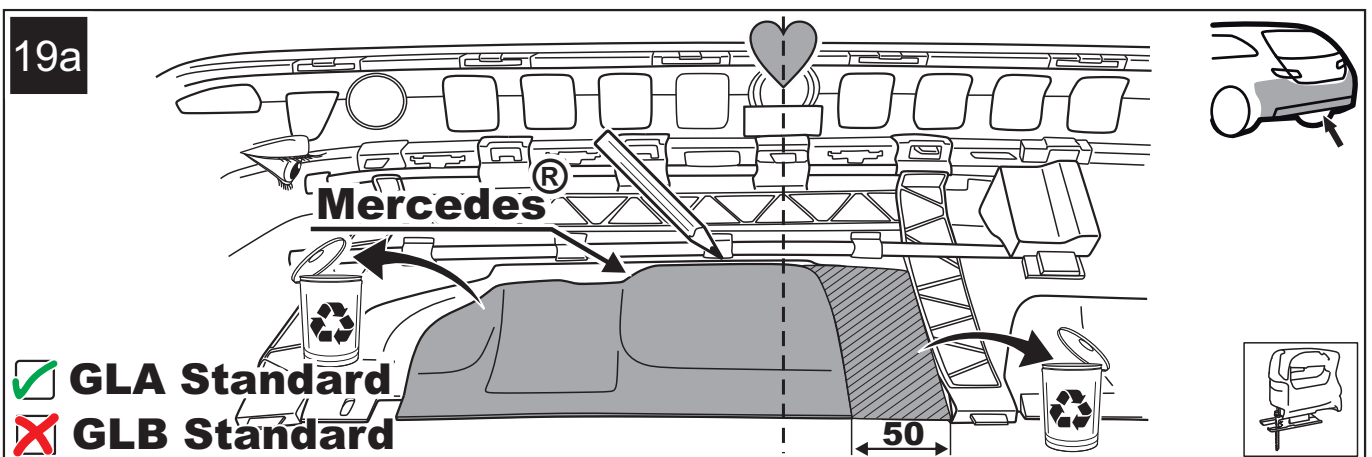
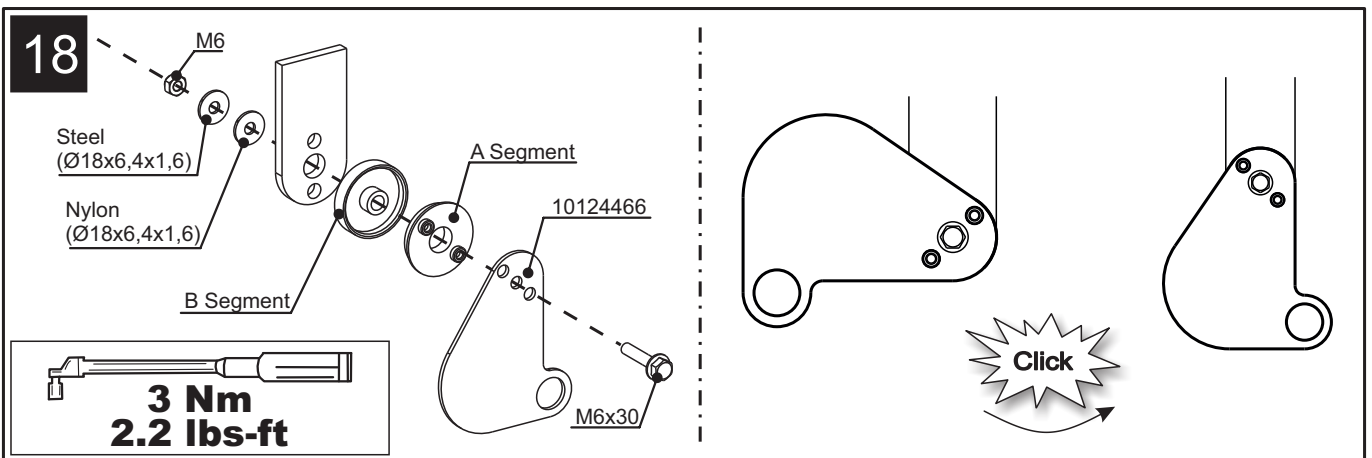
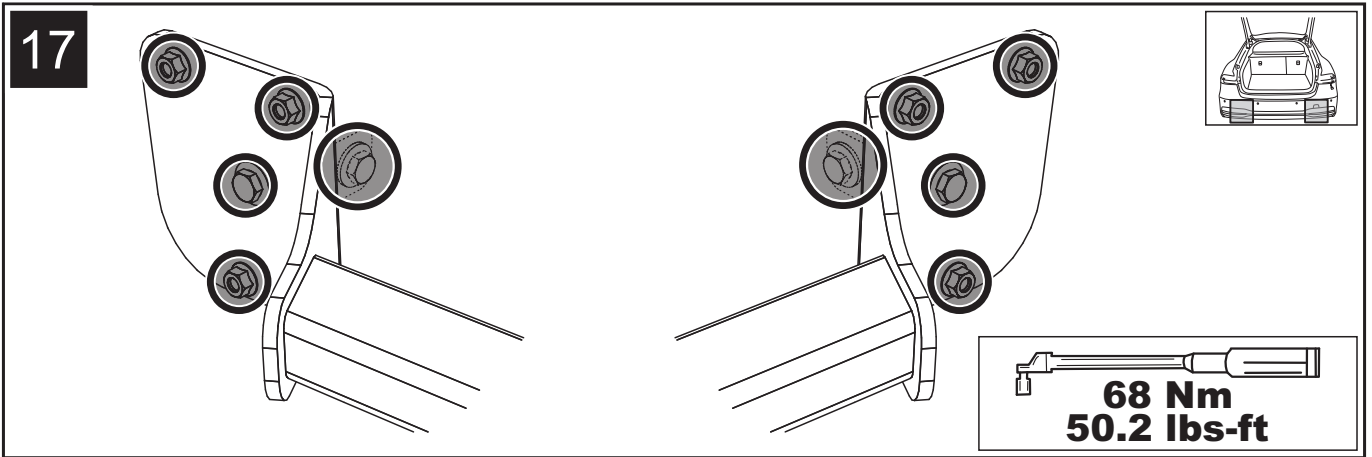
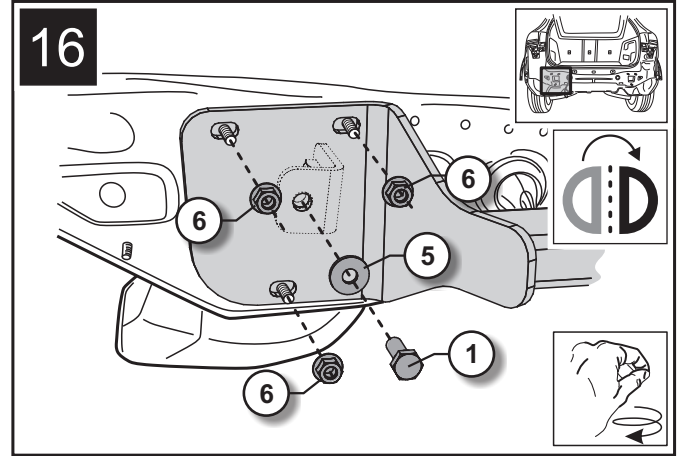
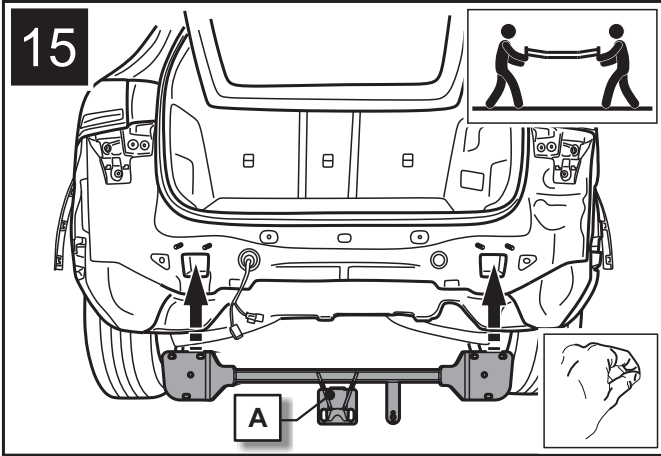


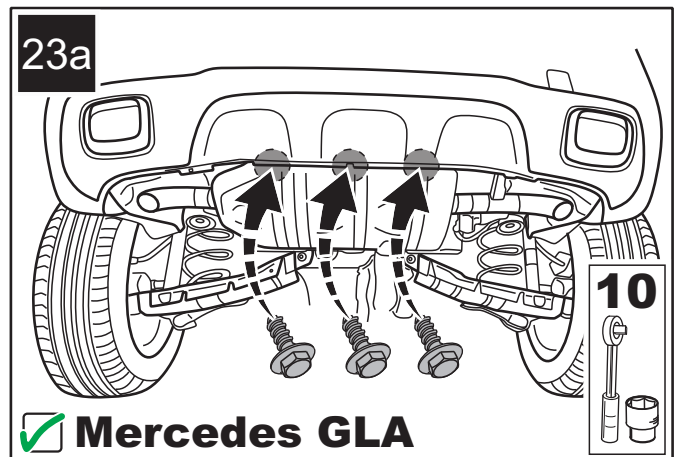
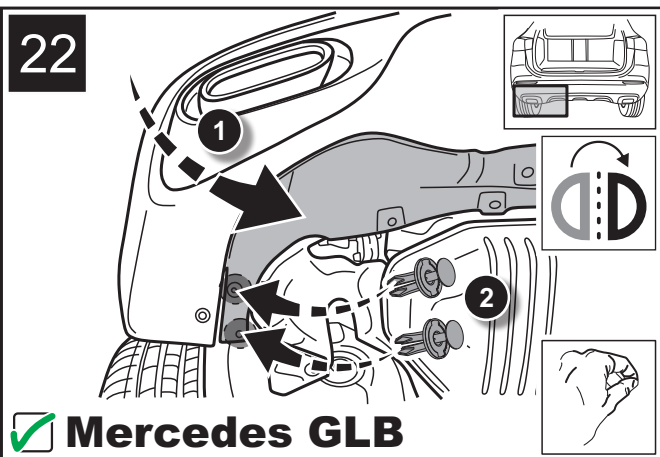
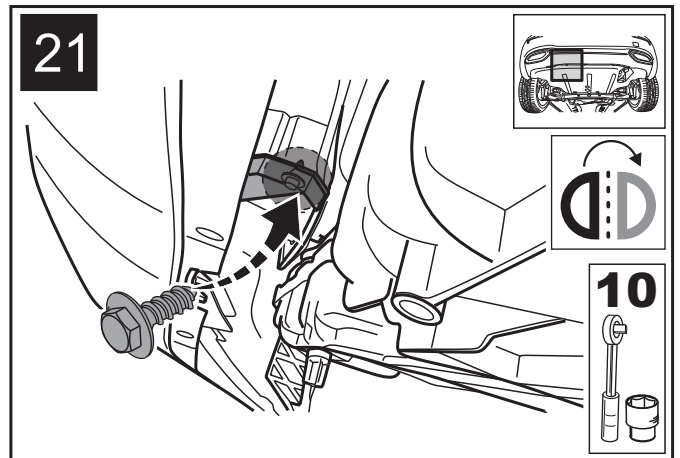
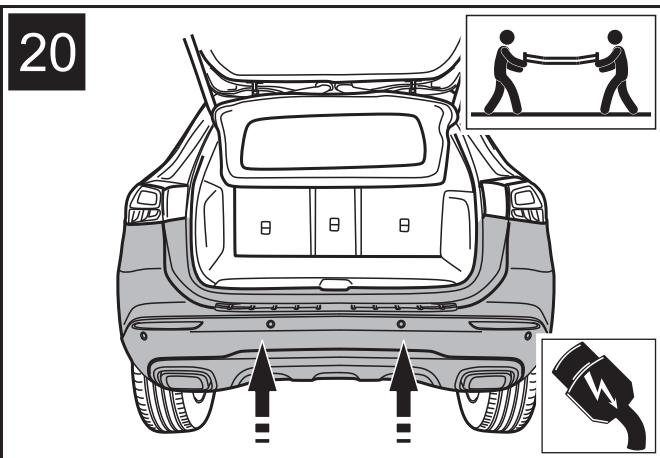
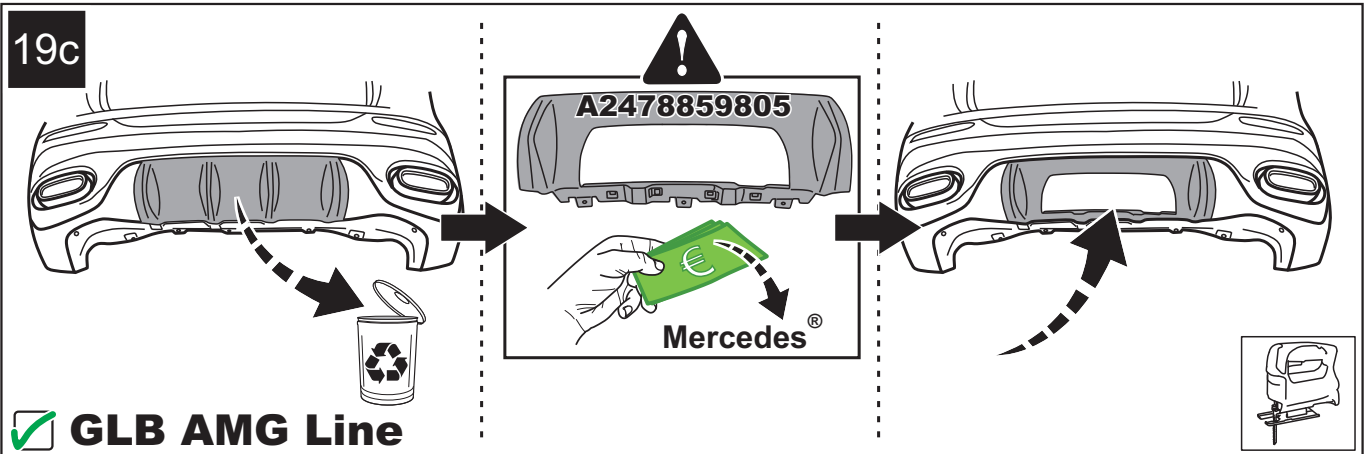
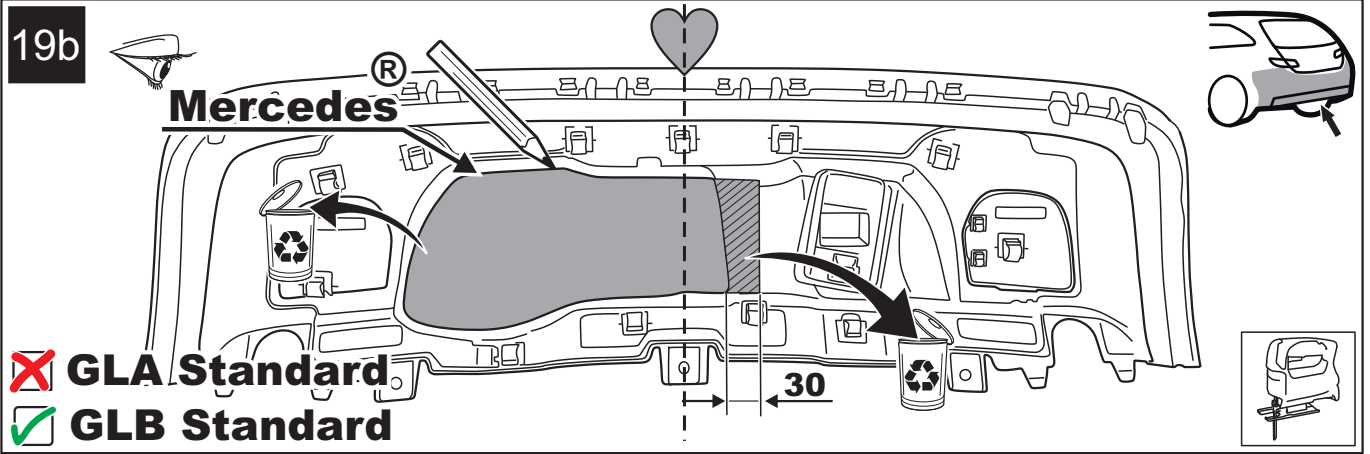
290079



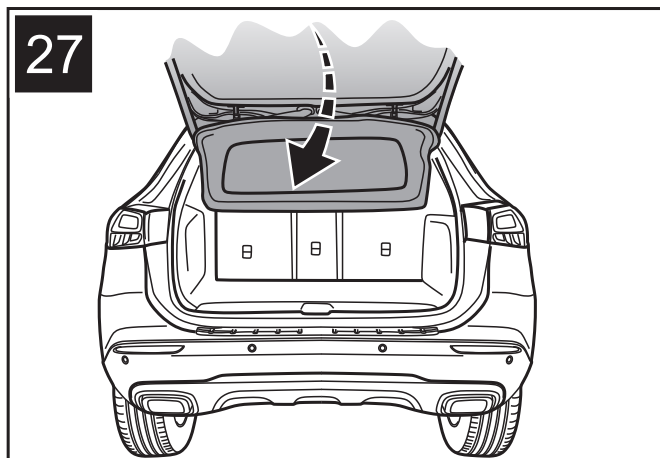
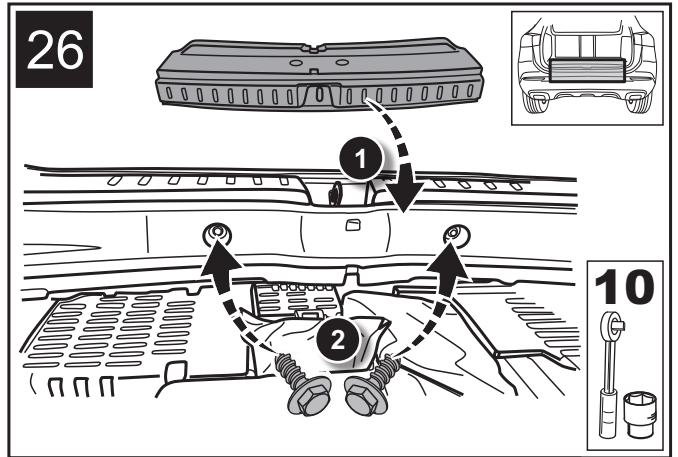
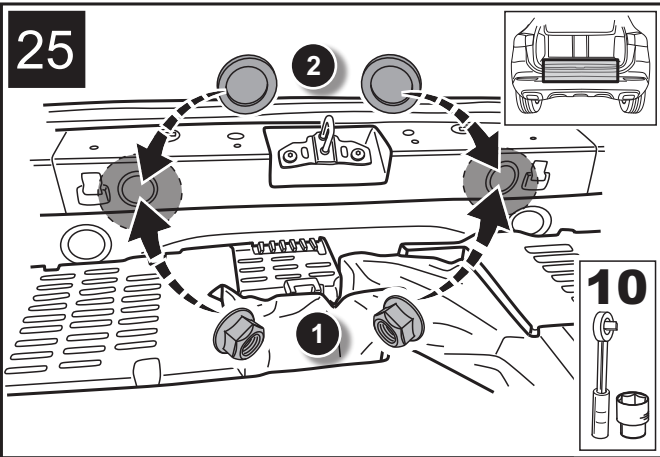
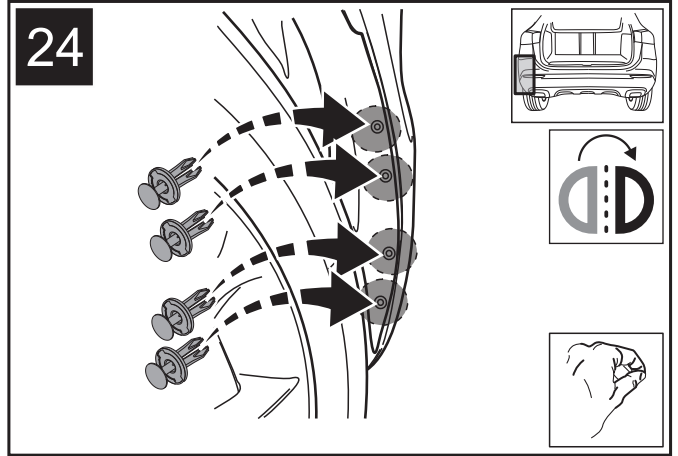
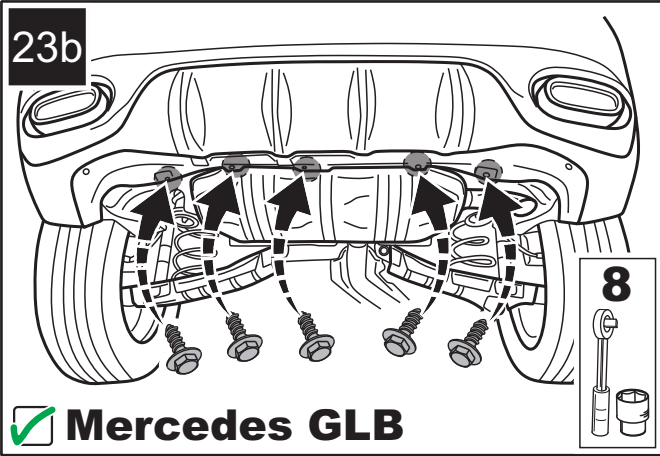
















**ORIS**  
ACPS

**HELPLINE**



[www.oris-automotive.com/en/acps-automotive-aftermarket-worldwide](http://www.oris-automotive.com/en/acps-automotive-aftermarket-worldwide)

**ORIS**  
ACPS