

Part Number: 200684

Toyota RAV4 (SUV) (XA5)

12/2018 -

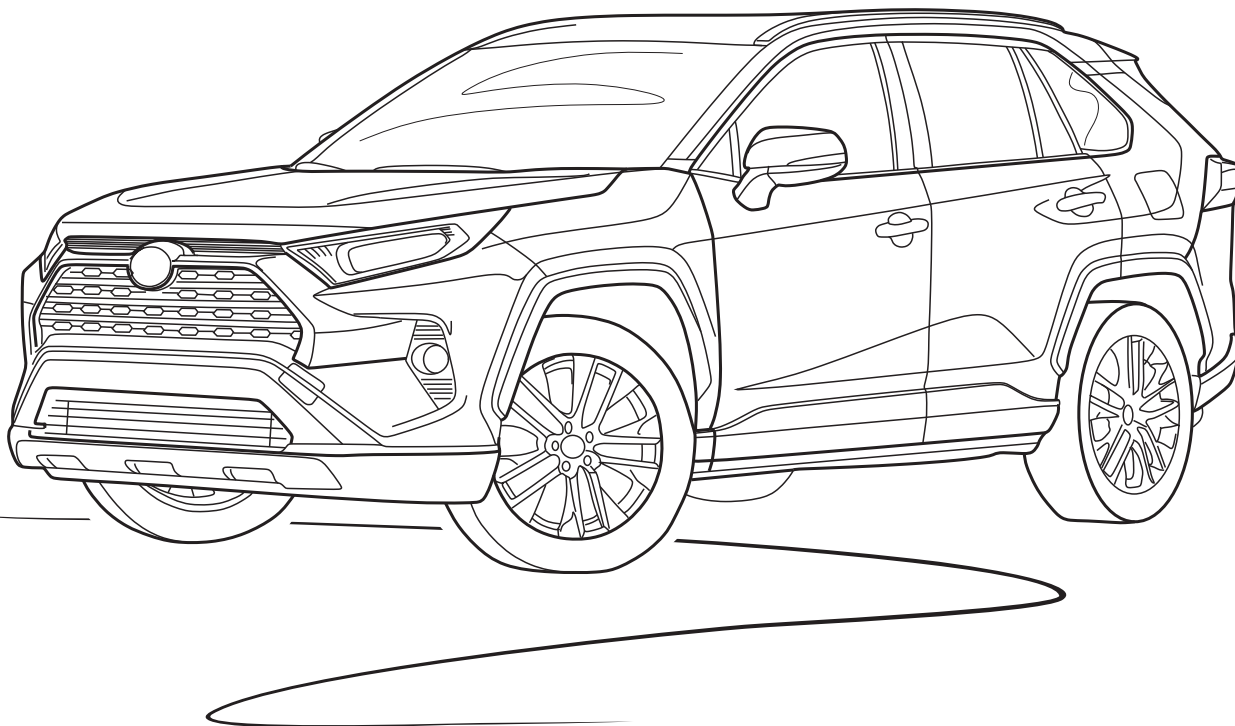


Not Visible



motion sensor
trunk release

- 2WD
- 4WD
- Hybrid



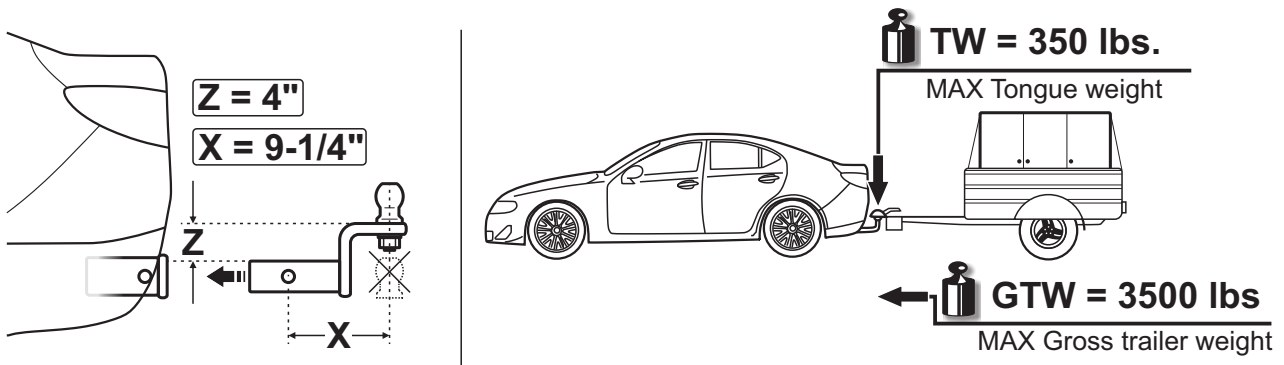
Check our webpage for the latest and a full-color copy of this fitting instruction.

www.oris-automotive.com/en/

Version: 02
Date: 28-02-2024



THESE INSTRUCTIONS MUST BE GIVEN TO THE END USER

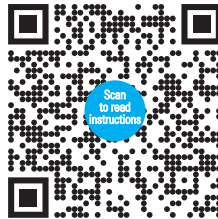


Never exceed the vehicle or the hitch manufacturer's recommended towing capacity and tongue weight.



IMPORTANT SAFETY NOTICE FOR HITCH INSTALLERS AND CUSTOMERS

Read all installation, operating and safety instructions along with all labels before installing or using this product. Failure to comply with the safety information could result in serious injury or death.



www.oris-automotive.com/en/safety/



WARNING: This product can expose you to chemicals including carbon black, which is known to the State of California to cause cancer. For more information go to www.P65Warnings.ca.gov



WARNING: Do not perform any installation or towing procedures without fully understanding the correct tools and actions for all steps. Call for support if needed.



www.oris-automotive.com/en/acps-automotive-aftermarket-worldwide/

Legend / Légende / Leyenda



US Attention
F Attention
E Atención



US Incorrect
F Incorrect
E Incorrecto



US Correct
F Correct
E Correcto



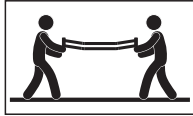
US Inspect
F Examiner
E Revise



US In both sides
F Tous les deux côtés
E En ambos lados



US Manually
F À la main
E A mano



US Only 2 persons may carry out
F Toujours s'y mettre de deux
E Operación que requiere dos personas



US Remove
F Rebuter
E Tratamiento de residuos



US Location/Position Arrow
F Flèche de Position
E Flecha de posición



US Movement Arrow
F Flèche de mouvement
E Flecha de movimiento

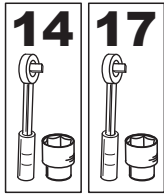


US Protect it against corrosion
F Protéger contre la corrosion
E Proteger contra la corrosión

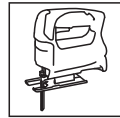


US Electrical connection
F Connexion électrique
E Conexión eléctrica

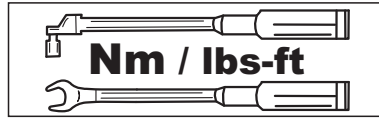
Tools Required / Outils requis / Herramientas requeridas



RATCHET WITH SOCKET



CUTTING TOOL



TORQUE WRENCH WITH SOCKET 10, 17, 19

Safety / Sécurité / Seguridad

Should be worn at all times while installing this product.

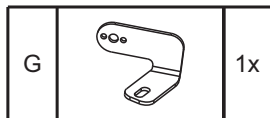
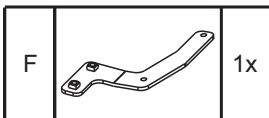
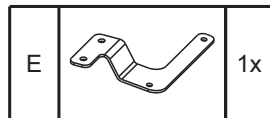
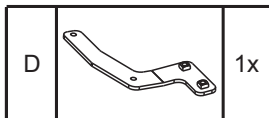
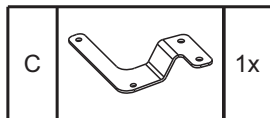
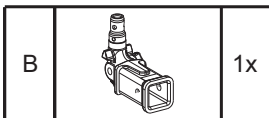
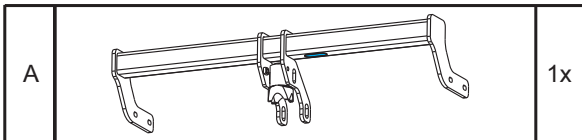
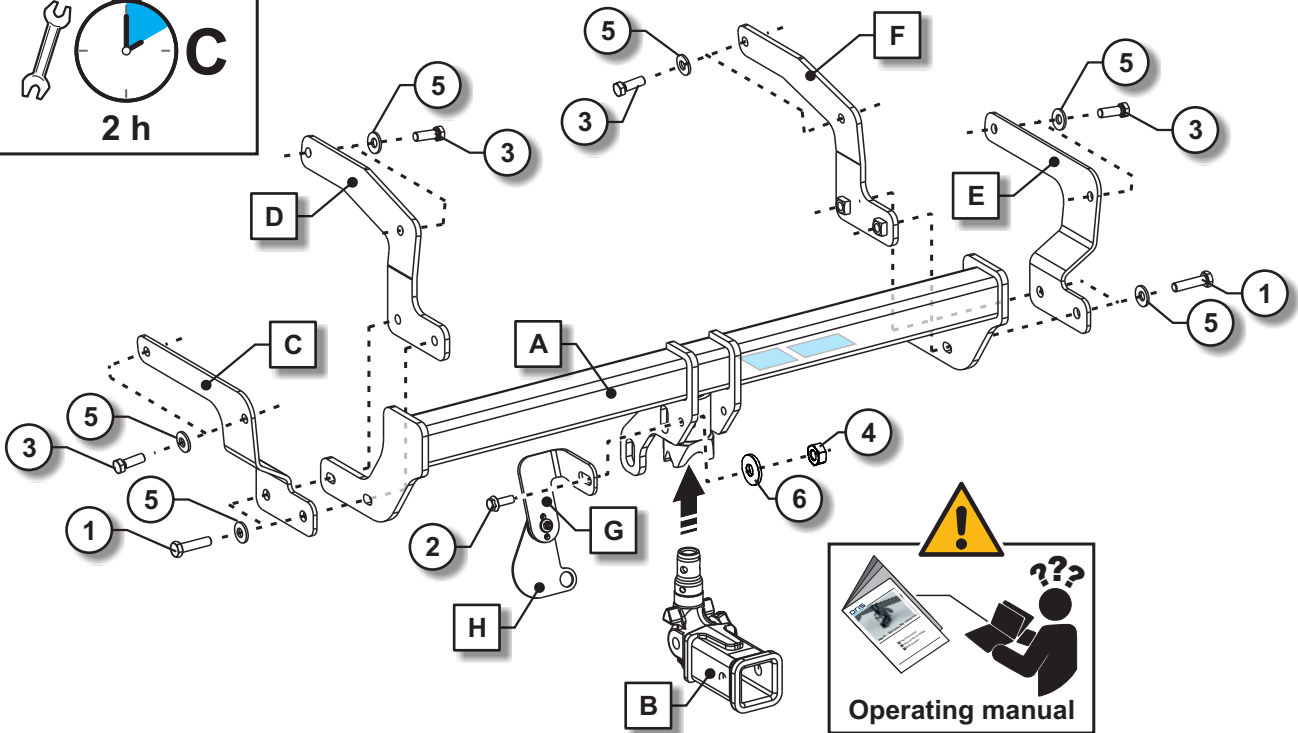
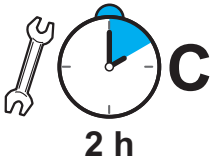
Il doit être porté en permanence lors de l'installation de ce produit.

Debe llevarse en todo momento mientras se instala este producto.



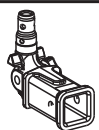
Assembly / Assemblage / Montaje

Mounting time



1		M12x50	DIN933	10.9	4x	117 Nm 86.3 ft-lbs
2		M12x1,25x35	DIN961	8.8	8x	87 Nm 64.2 ft-lbs
3		M10x30	DIN6921	10.9	1x	46 Nm 33.9 ft-lbs
4		M10	DIN934	10	1x	46 Nm 33.9 ft-lbs
5		13x30x3,2	NFE25510		12x	
6		M10	DIN6796		1x	

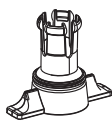
Spare Parts



290019



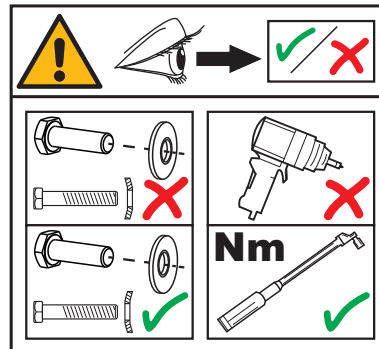
290029

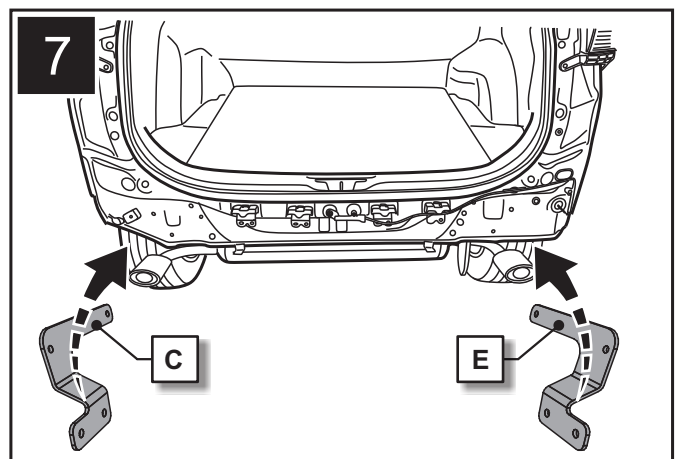
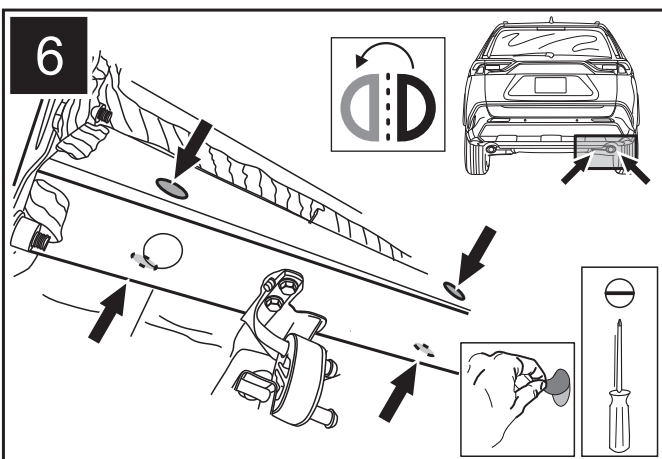
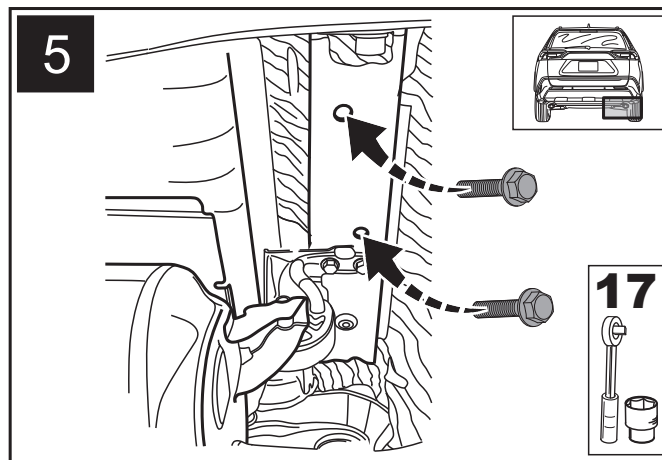
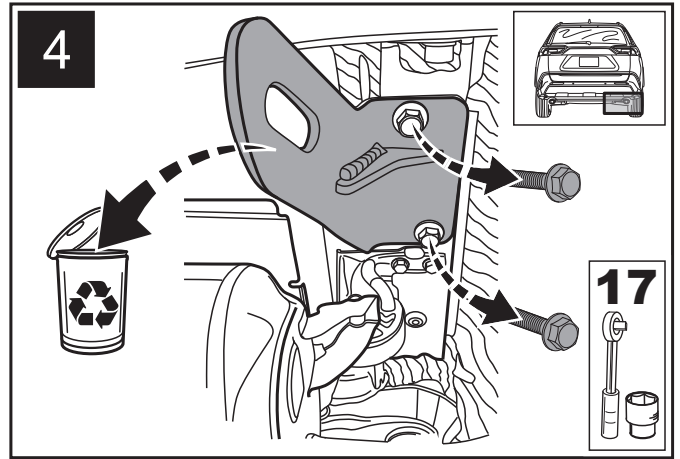
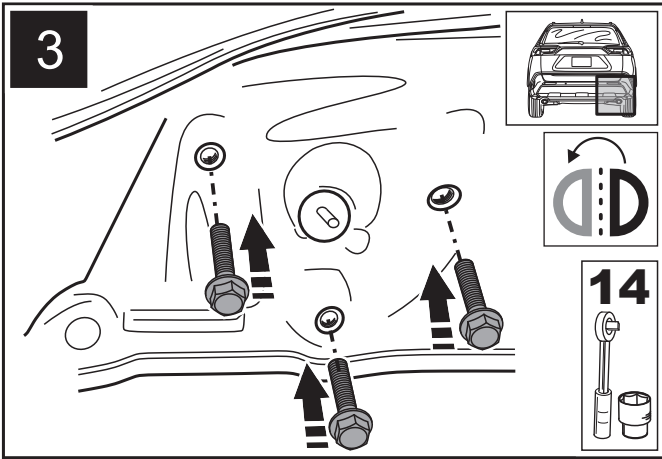
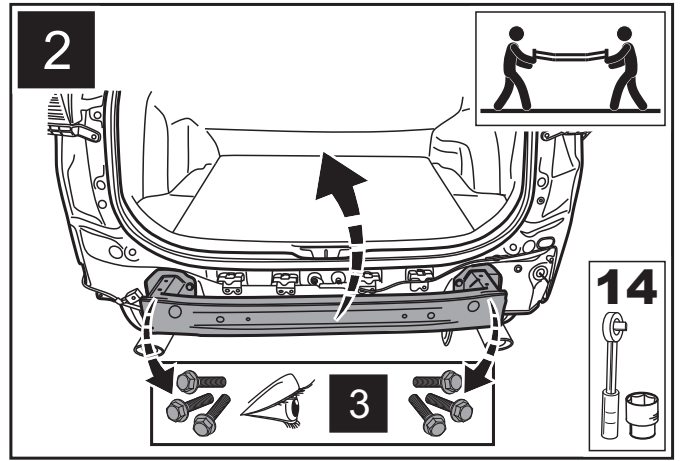
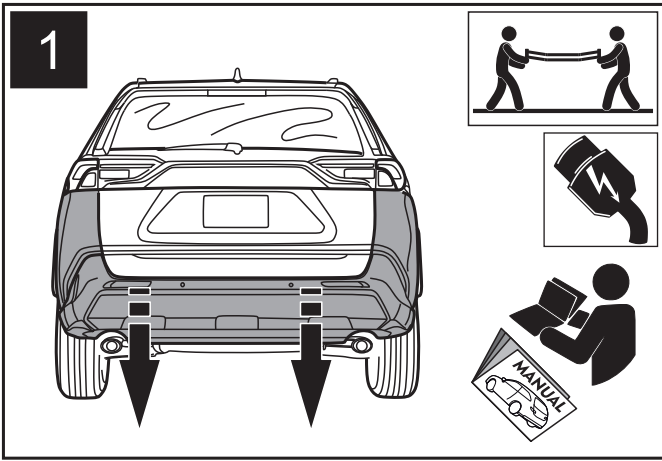


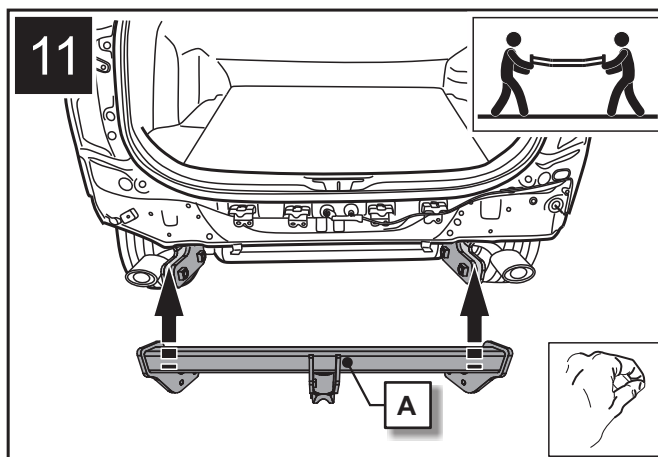
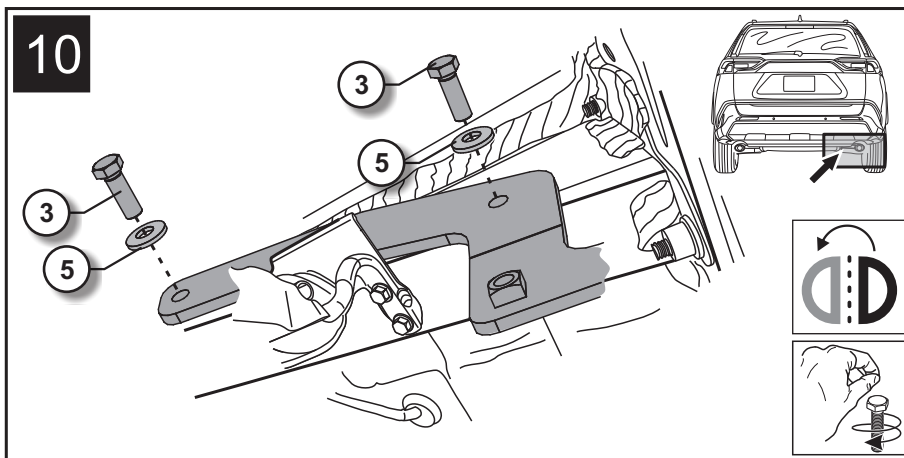
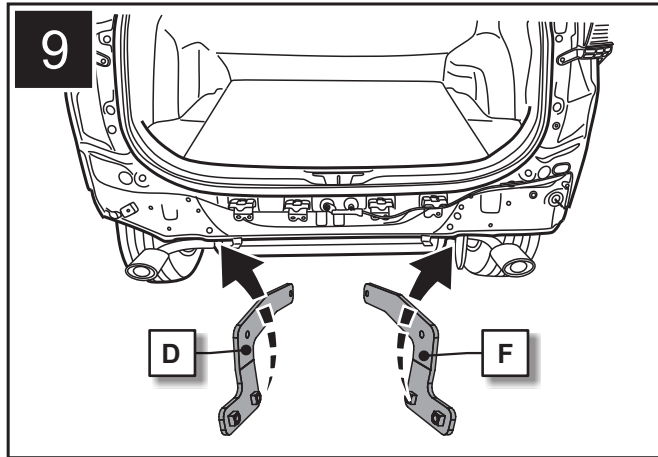
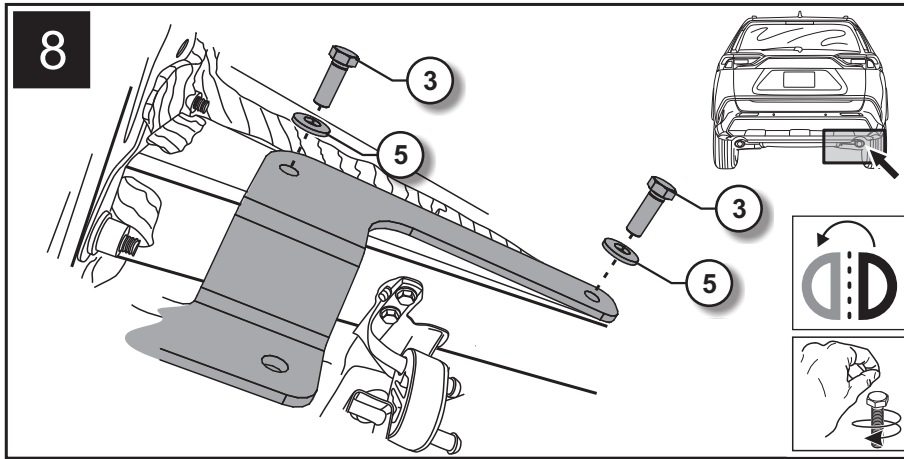
290039

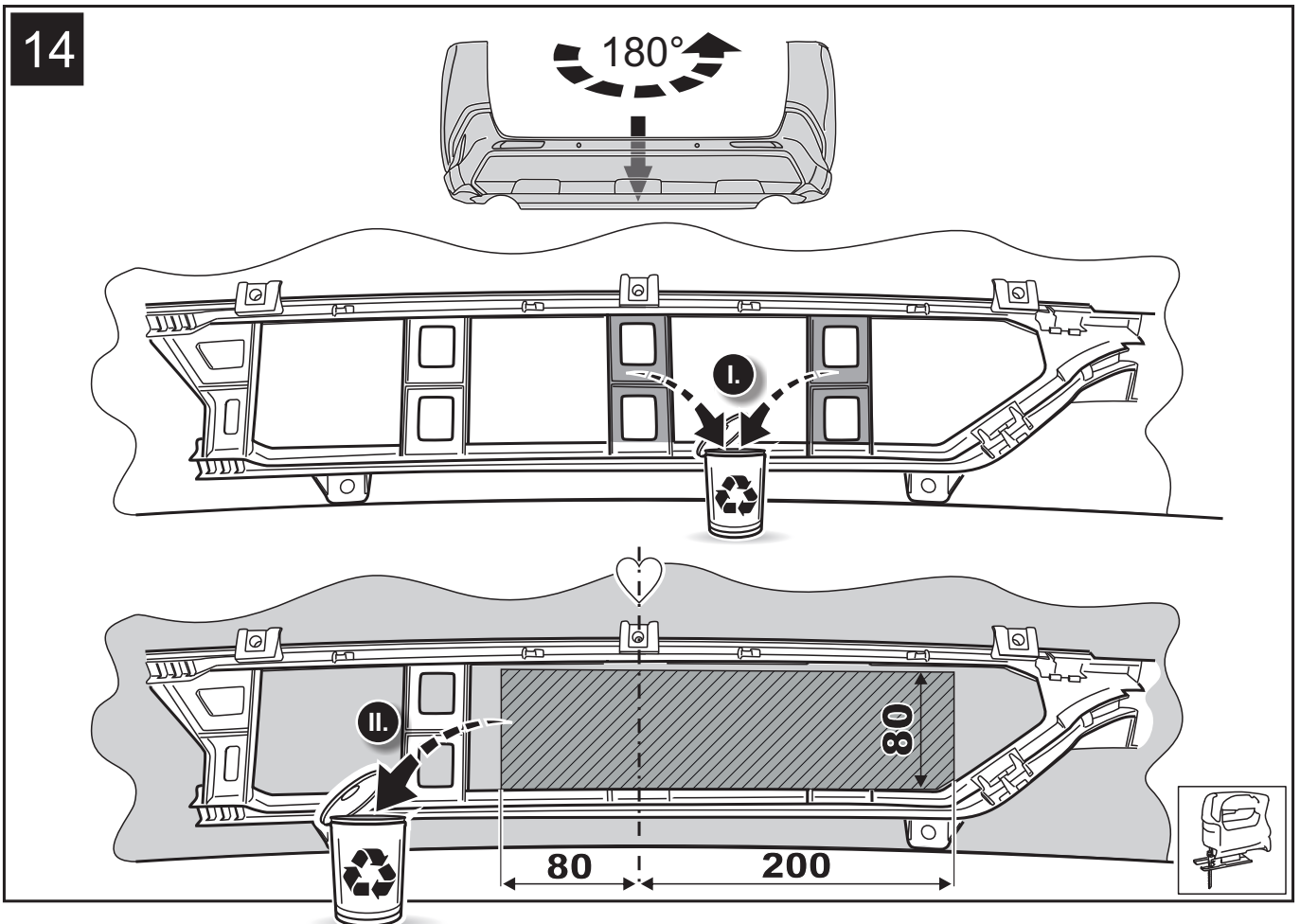
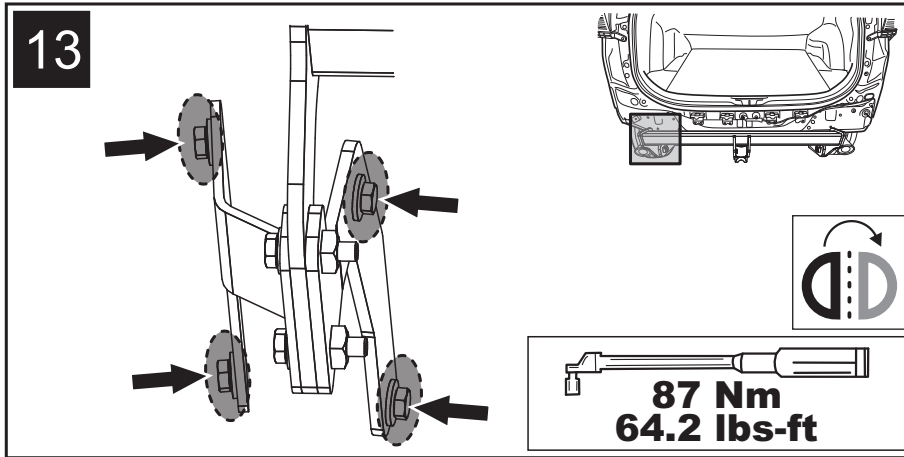
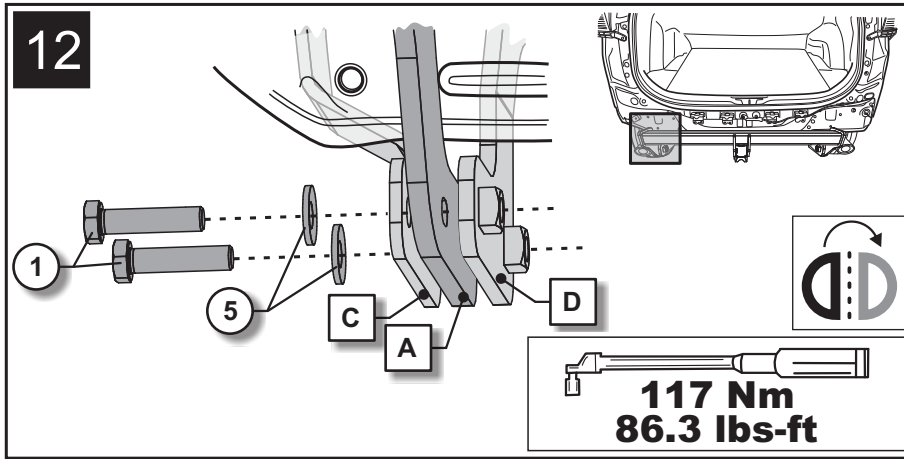


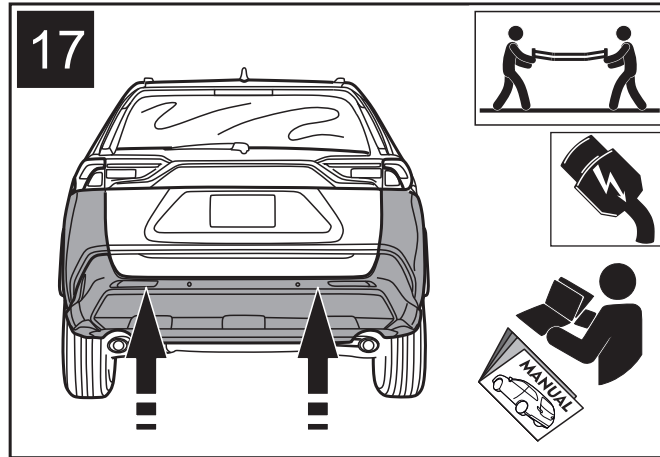
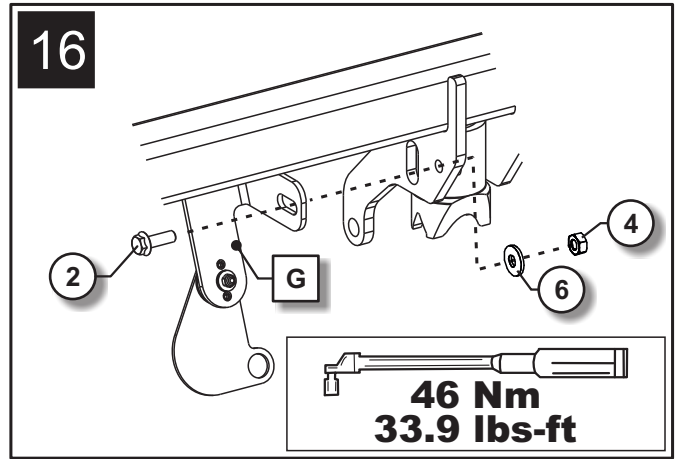
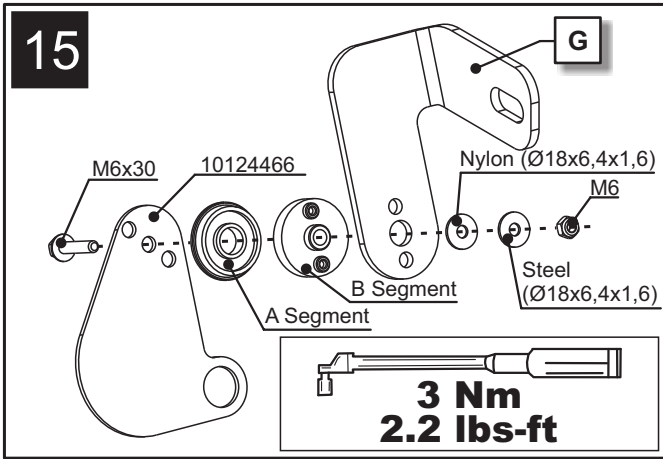
290049











ORIS
ACPS

HELPLINE



www.oris-automotive.com/en/acps-automotive-aftermarket-worldwide

ORIS
ACPS