

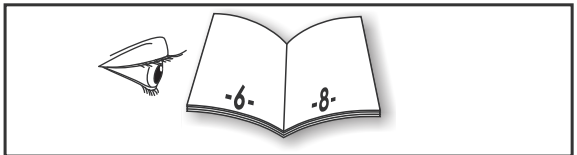
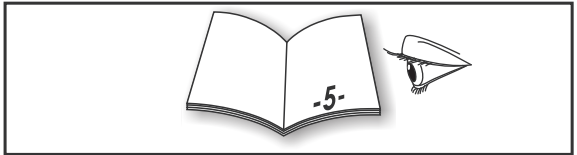
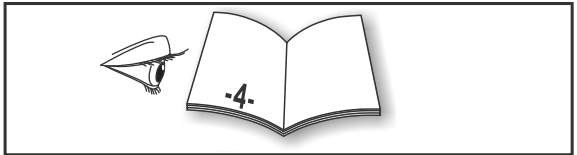
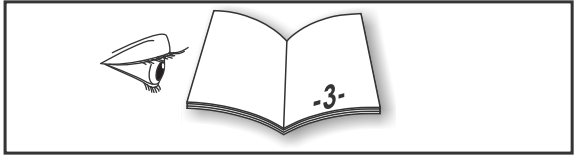
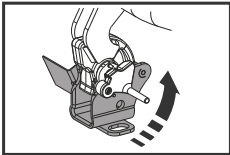
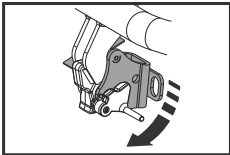
Disappearing hitch

US Operating manual

E Instrucciones de manejo

F Mode d'emploi





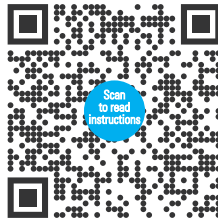


THESE INSTRUCTIONS MUST BE GIVEN TO THE END USER



IMPORTANT SAFETY NOTICE FOR DISAPPEARING HITCH INSTALLERS AND CUSTOMERS

Read all installation, operating and safety instructions along with all labels before installing or using this product. Failure to lock the disappearing hitch could result in accidental release. Failure to comply with the safety information could result in serious injury or death.



www.oris-automotive.com/en/safety/



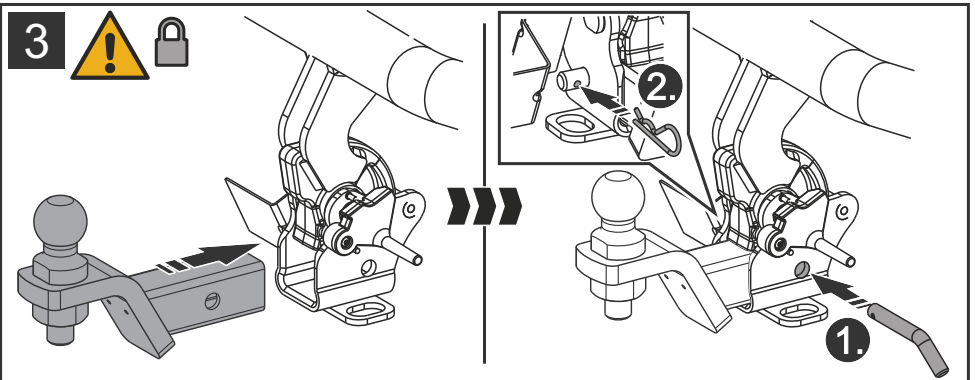
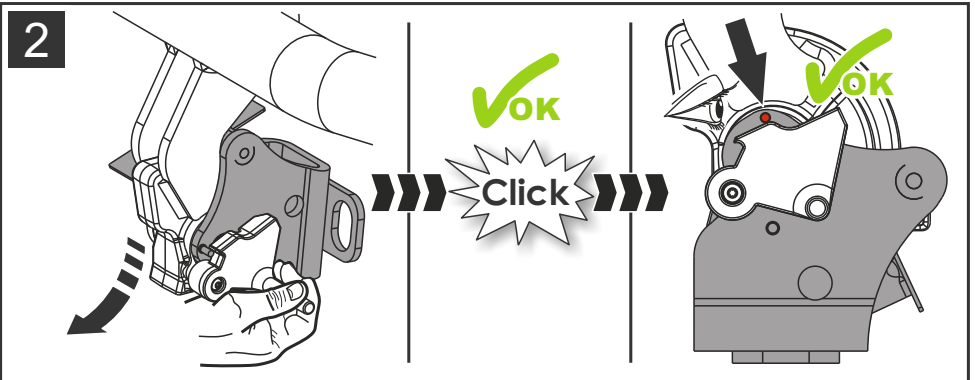
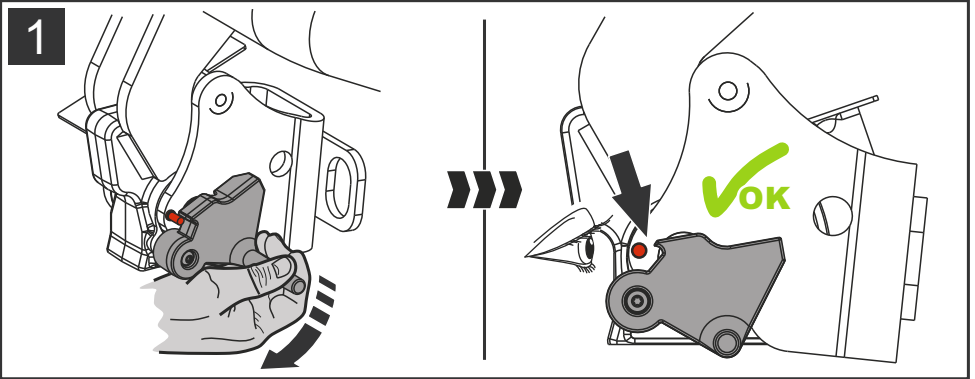
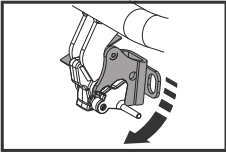
WARNING: This product can expose you to chemicals including carbon black, which is known to the State of California to cause cancer. For more information go to www.P65Warnings.ca.gov

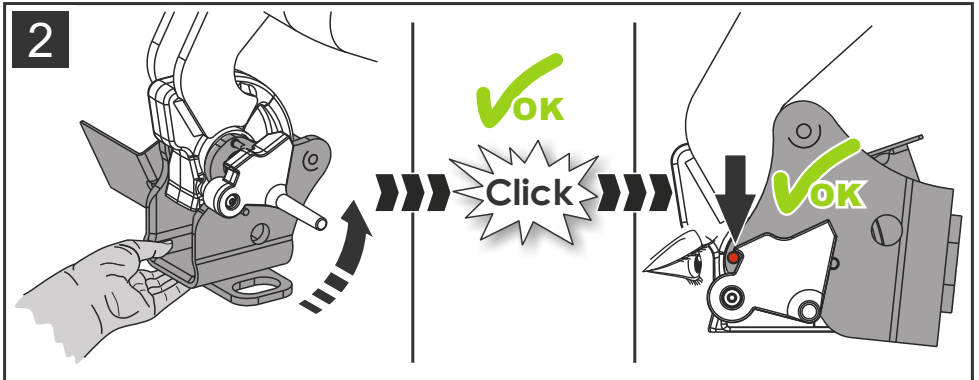
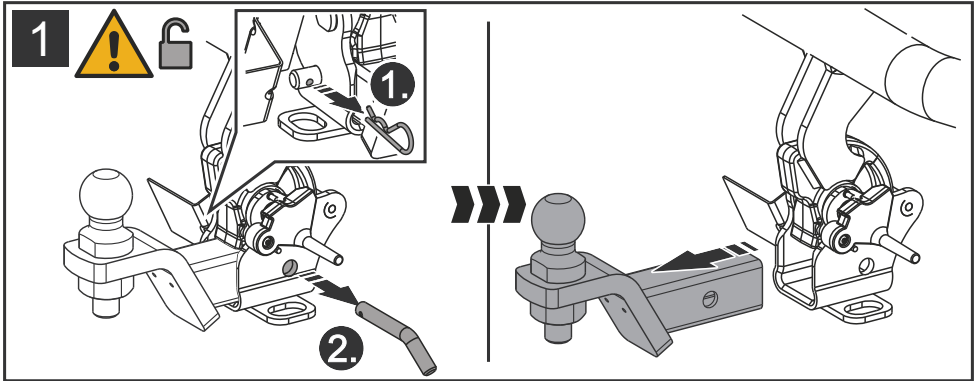
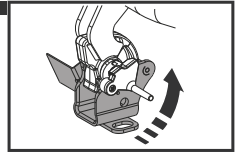


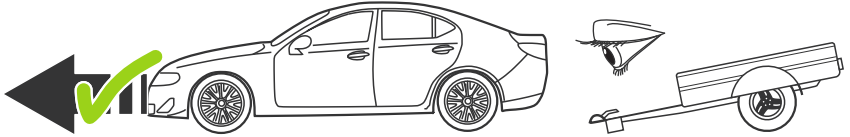
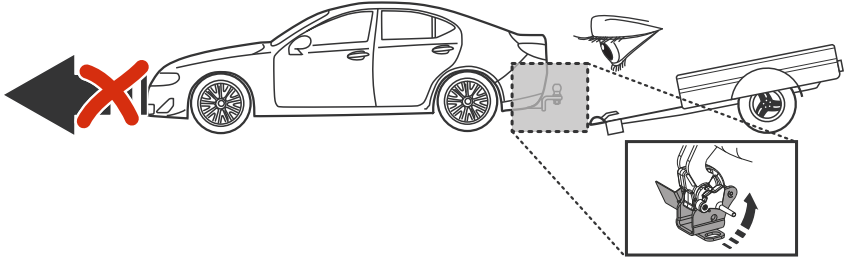
WARNING: Do not perform any installation or towing procedures without fully understanding the correct tools and actions for all steps. Call for support if needed.

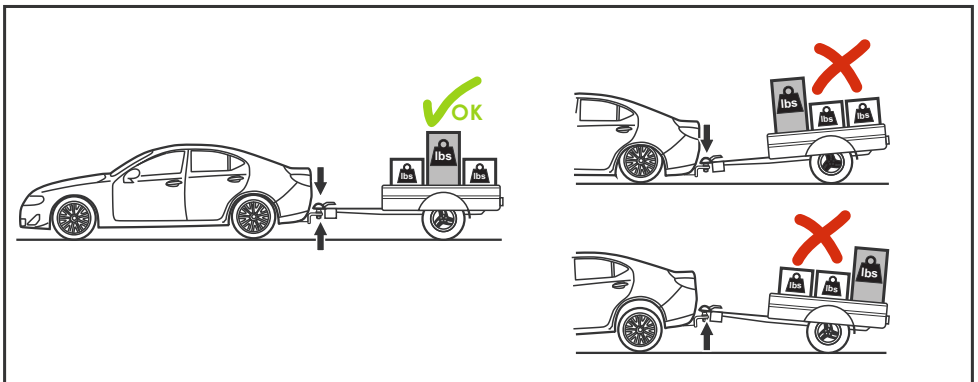
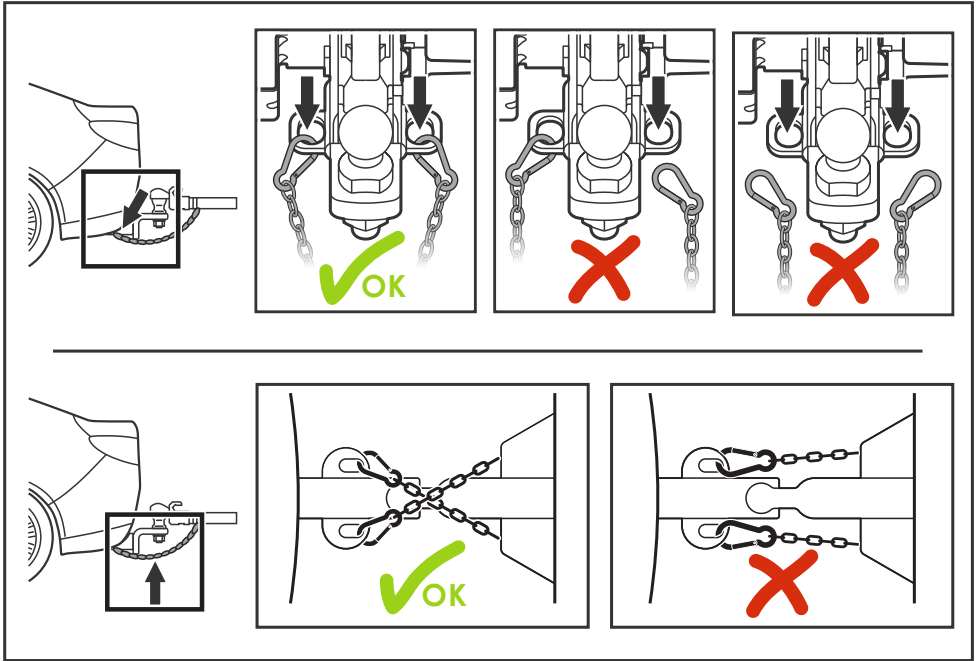


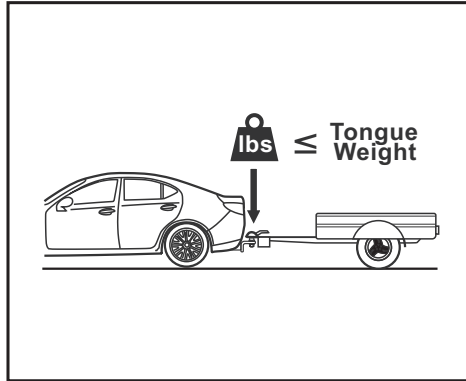
www.oris-automotive.com/en/acps-automotive-aftermarket-worldwide/











ORIS

ACPS

HELPLINE



www.oris-automotive.com/en/acps-automotive-aftermarket-worldwide/